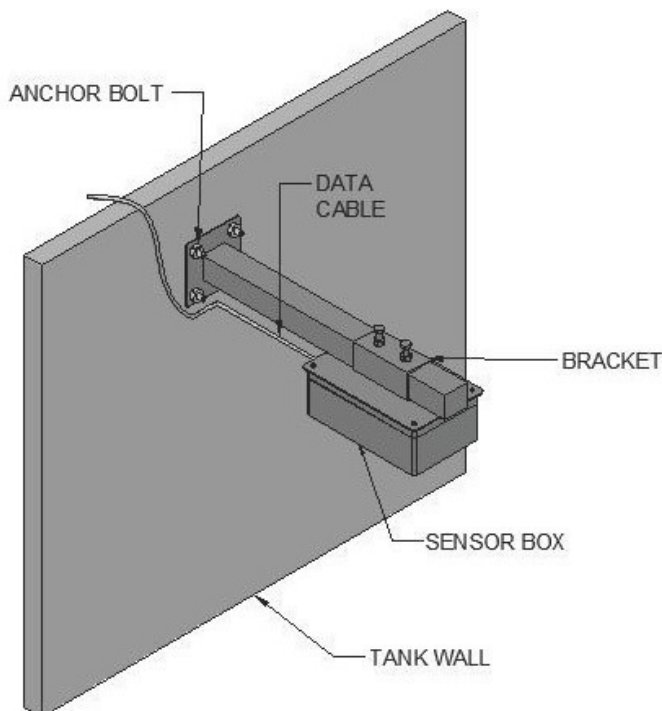




BULFRO TANK LEVEL MONITORING SYSTEM (BTLMS) TECHNICAL BROCHURE



FEATURES

- Knife Edge Collector
- Integral Bubble Level
- logging in any Rainfall Data Logger (3rd party interface available)
- Transmission by Radio Reporting
- Rain gauge (GSM/GPRS)
- Native display also available
- Option of heater for snowy areas available

Introducing BTLMS:

Welcome to the future of Tank Level Monitoring with the Bulfro Tank Level Monitoring System (BTLMS). Our cutting-edge system is designed to provide accurate and efficient monitoring and measurement of tank levels, enabling seamless control and management of water harvesting operations. BTLMS is a pinnacle of technological innovation, combining advanced sensor capabilities with the power of IoT connectivity.

Services:

- Product & Solution Sales
- Installation
- Data Management and Security
- Maintenance & Services
- Water Legal Compliance

Technical Specifications:

Solar Power System with Battery	
Nominal voltage	7.4 V DC
Ingress Protection rating	IP68
Capacity	5.0 AH
Max. charging current	2.0 Amp
Max. discharging current	2.0 Amp
Full charge Voltage	12 V
Under voltage cut-off	5.6 V

Parameter	Range
Operating Voltage	8~12V
Standby Current	≤5mA
Average Current	≤8mA
Blind Zone Distance	3cm
Ranging Distance for Flat Object	3-450cm
Response Time	100ms
Probe Centre Frequency	40K±1.0K
Operating Temperature	-15~60°C
Storage Temperature	-25~80°C
Sensing Angle	100°
Protection Rate	IP67

Why Choose BTLMS?

- **Reliable Performance:** BTLMS ensures accurate and dependable tank level monitoring, allowing you to manage water resources effectively.
- **Effortless Integration:** Seamlessly integrate BTLMS into your existing infrastructure for immediate benefits and enhanced operational control.
- **Smart Insights:** Leverage the power of data analytics to gain valuable insights into usage patterns, enabling efficient resource allocation and conservation.
- **Secure and Scalable:** BTLMS is designed with security in mind, ensuring that your data is safe and protected. Additionally, the system is highly scalable to meet the evolving needs of your operation.

CONTACT US



+91 8459004436
+91 9699775296



Sales@bulfro.com
Info@bulfro.com



WWW.BULFRO.COM <https://www.linkedin.com/company/bulfro/>

